

Egg Cup



Introduction

The creation of an Egg Cup

Learning Intentions:



This lesson will focus on the command **Style Spline** with particular reference to fully defining the sketch.

Prerequisite knowledge: To complete this exercise you should have a working knowledge of SolidWorks 2009 and a previous knowledge of the following commands are required in this lesson: **Revolve, Shell and Fillet**

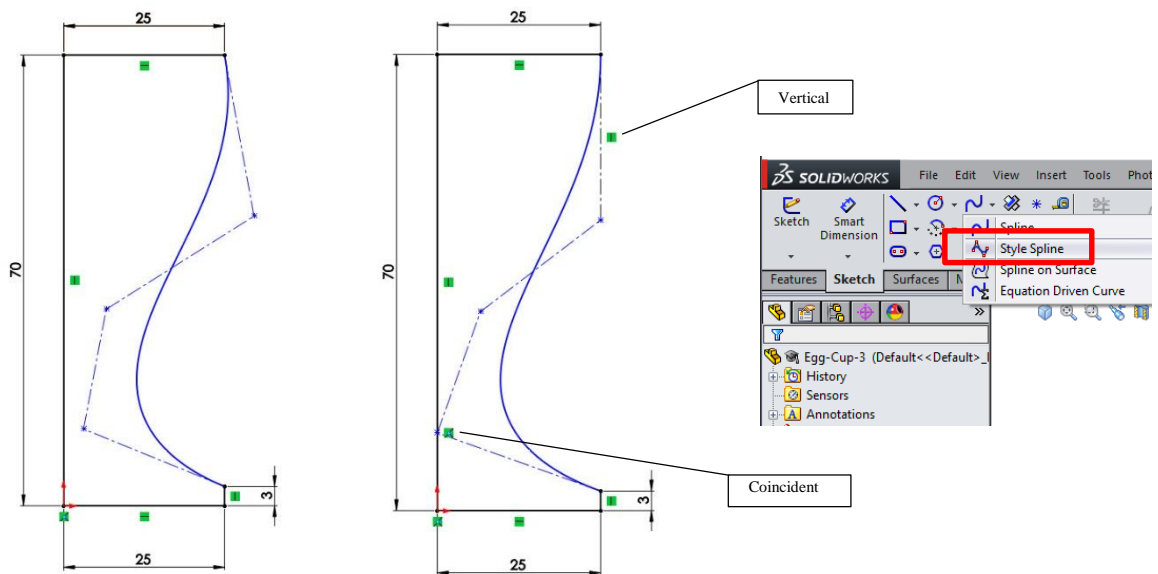
Creating the Egg Cup

Sketch



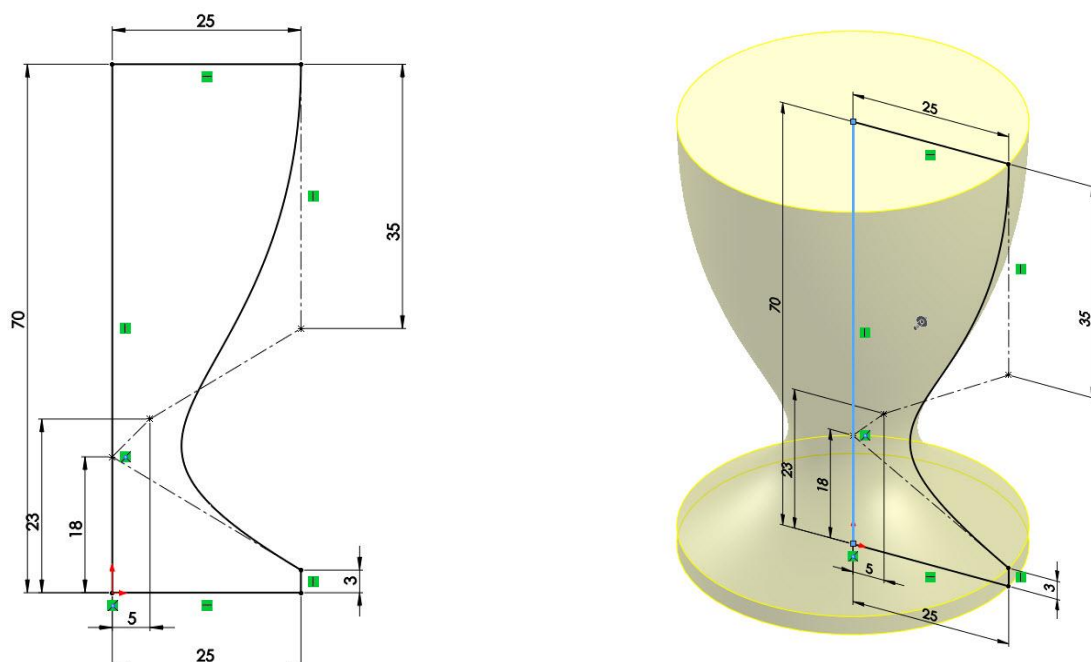
Using the line command draw the vertical and horizontal lines.

Using the **Style Spline** command sketch the spline as shown. To fully define the line locate points to the dimensions and use the **Add Relation** command below.



Revolve

Add the Dimensions below and fully define the sketch. Select **Revolve** to create the **Egg Cup**



Shell

Select the **Shell** command and using a thickness of 2mm



Fillet

Select the **Fillet** command create a fillet of 1mm. Apply a suitable appearance to the Egg Cup.

